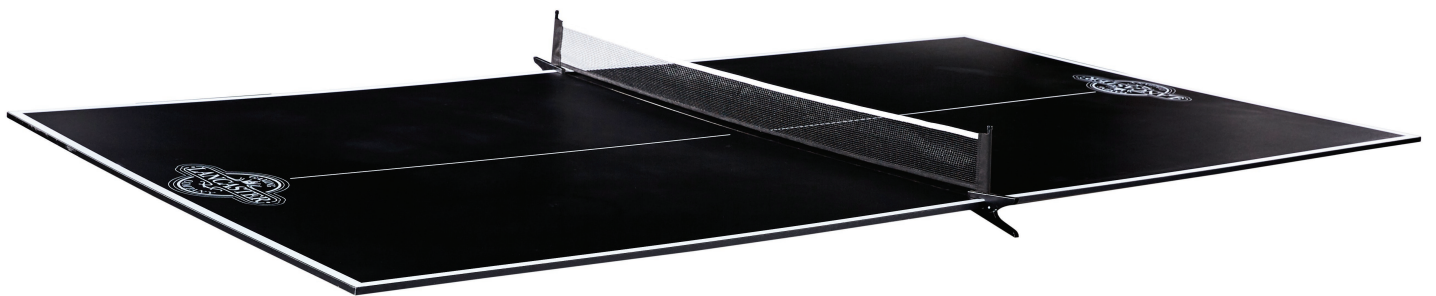




MODEL
TTT212_018P

VM Innovations

Assembly Instructions



www.vminnovations.com

i IMPORTANT NOTICE!

1. This product is intended for INDOOR use only.
2. Please do not sit, climb or lean on the product.
3. Please do not drag the product when moving it in order to avoid damaging the legs.
4. Please only use spray furniture polish to clean the exterior surfaces of the product.
5. This is not a child's toy, adult supervision is required for children playing this game.



No Children in Assembly Area



Keep away from pets in assembly area



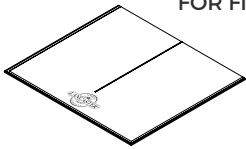
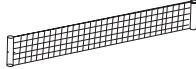

Do not use or keep product outdoors. For indoor use only. No wet/humid conditions.

⚠ WARNING

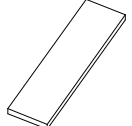
Adult Assembly Required.

CHOKING HAZARD - This item contains small parts or / and small balls. Not suitable for children under 3 years.

PARTS IDENTIFIER

PART NUMBER	1	FOR FIG. 1	FIG NUMBER
PART		x2	QUANTITY
PART NAME	Table Tennis Tabletop		
2	FOR FIG. 3	3	FOR FIG. 2
	x1		x2
Net		Net Post	

PRE-INSTALLED PARTS

P1	FOR FIG. 1
	x6
EVA Pad	

BEFORE ASSEMBLY

1. Find a clean, level place to begin the assembly of your Product.
2. Verify that you have all listed parts as shown on the part list pages. If any parts are missing, call our customer service.

ASSEMBLY

FIG. 1

- 1 x2
- P1 Pre-installed x6

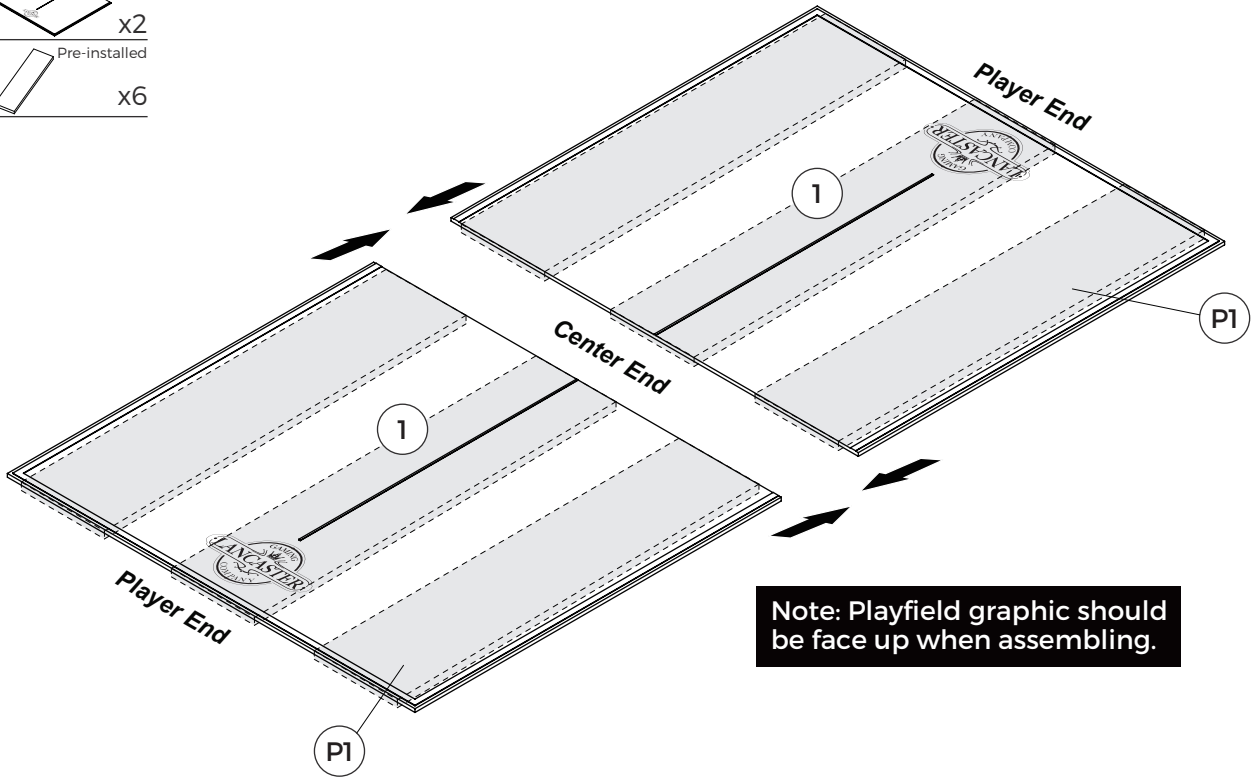
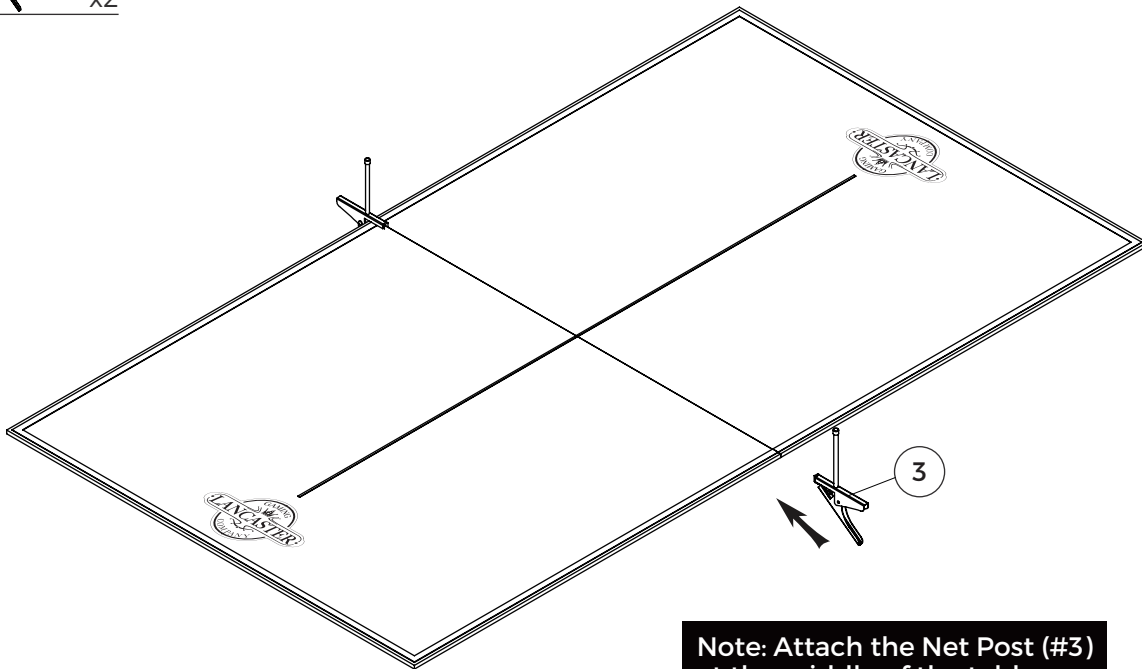


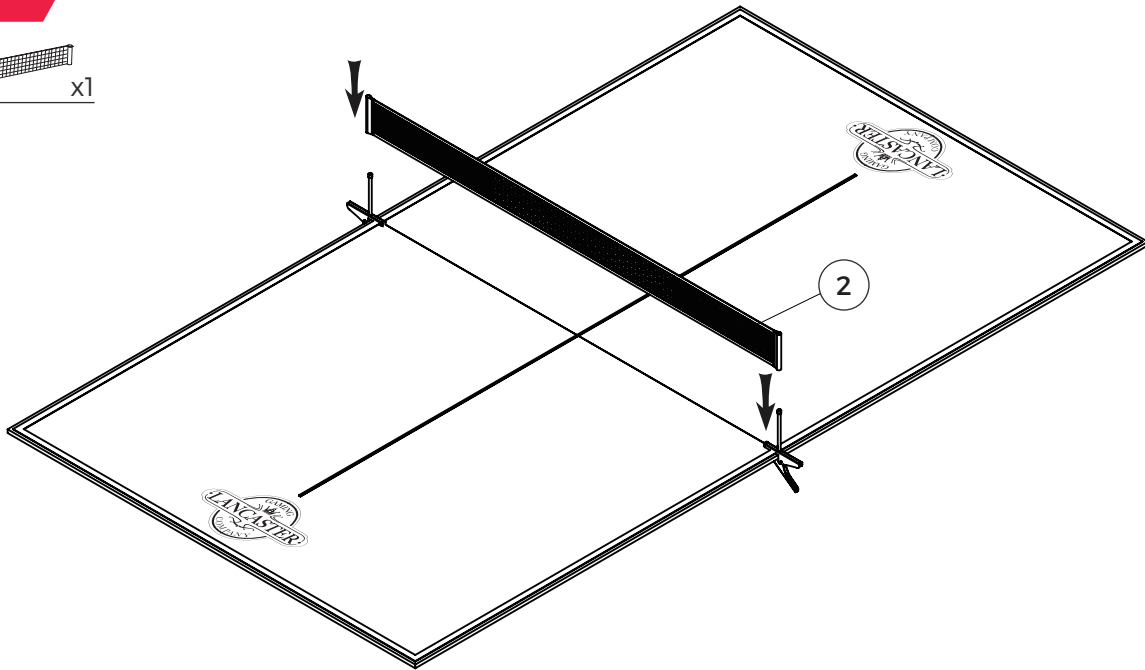
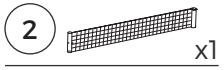
FIG. 2

- 3 x2



ASSEMBLY

FIG. 3



Note: Stretch the Net (#2) across the center of the table and slip the net over the post on the opposite side.





www.vminnovations.com