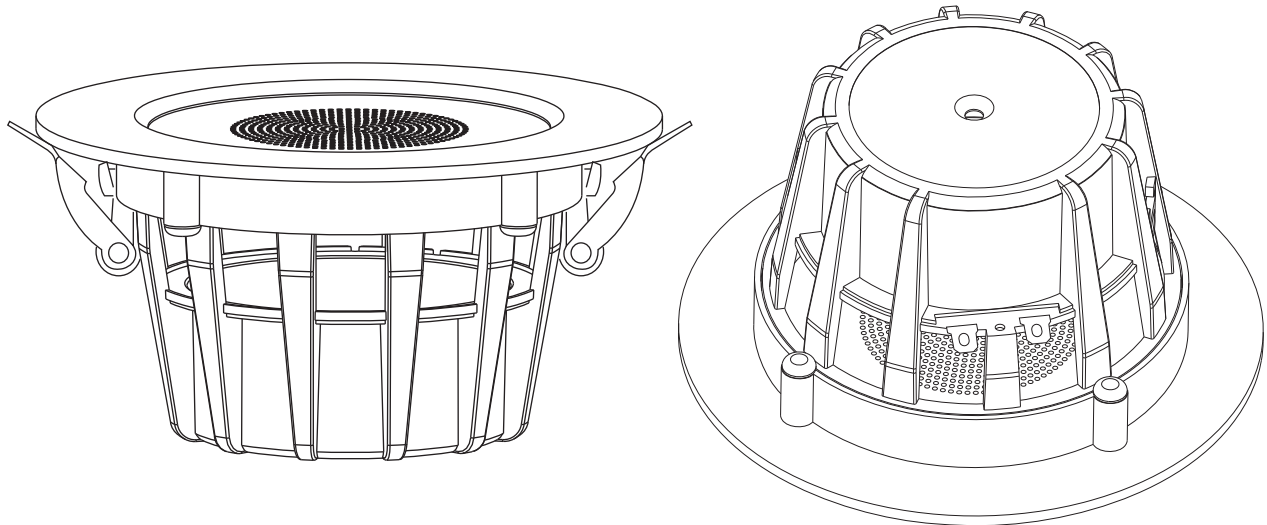




**IN-WALL / IN-CEILING UNIVERSAL MOUNTABLE  
ALUMINUM ALLOY-FRAMED SPEAKER SYSTEMS  
INSTALLATION MANUAL**



**Models: PDIC3FR - PDIC35 - PDIC4**  
Aluminum Framed Speaker Pairs

**Models: PDICLE3FR - PDICLE35 - PDICLE4**  
Speaker Pairs with Built-in LED Lights

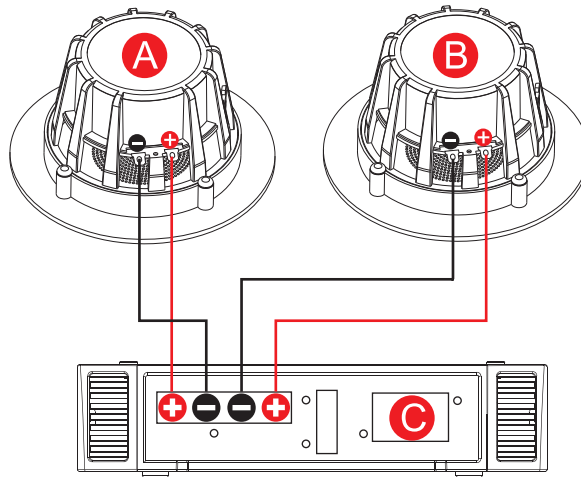
**Models: PDICBTL3F - PDICBTL35 - PDICBTL4**  
2-Channel Kits with Built-in LED Lights + Bluetooth

**Models: PDIC4CBTL3B - PDIC4CBTL35B - PDIC4CBTL4B**  
4-Channel Kits with Built-in LED Lights + Bluetooth

**Models: PDIC3FR - PDIC35 - PDIC4**  
**Aluminum Framed Speaker Pairs**

## Speaker Wiring

Connect the red and black cables to their respective positive and negative terminals.  
- Speakers 'A' and 'B' connect to an amplifier source 'C'

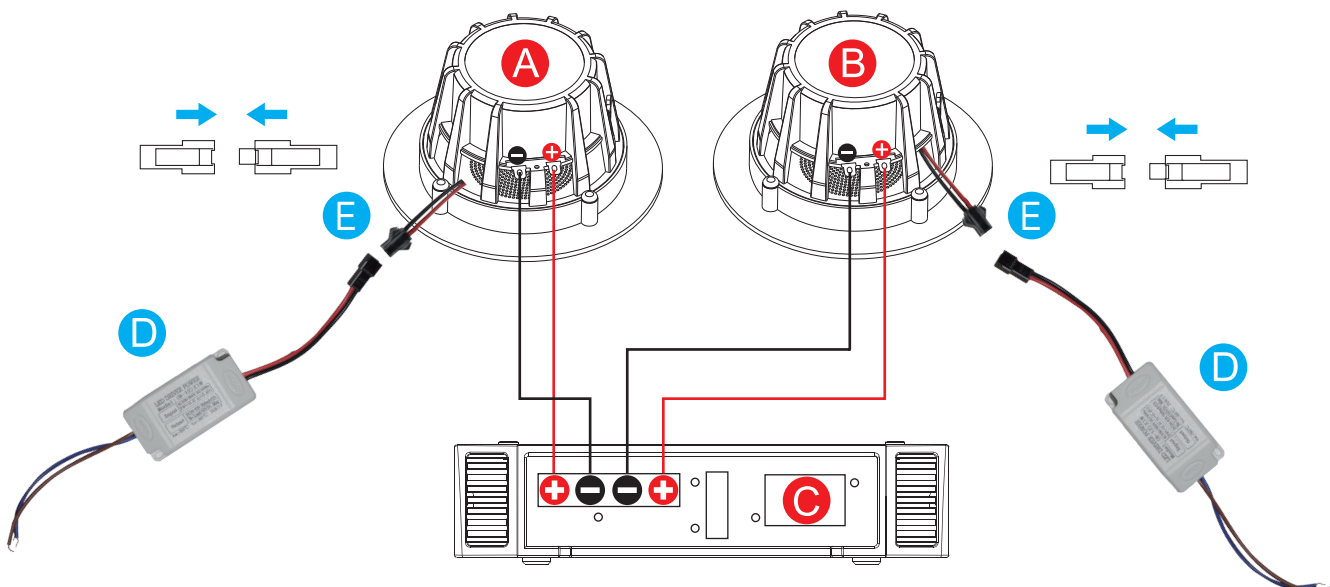


**Models: PDICLE3FR - PDICLE35 - PDICLE4**  
**Speaker Pairs with Built-in LED Lights**

## Speaker + LED Light Power Wiring

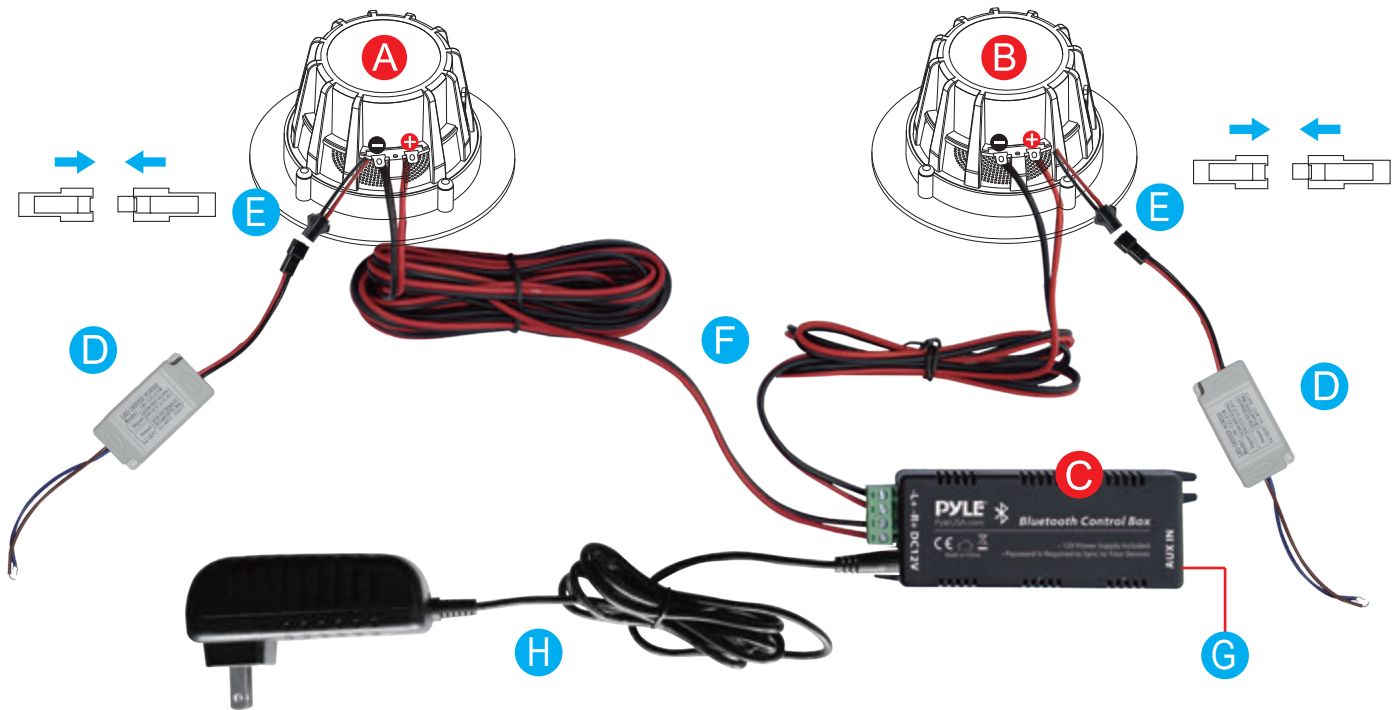
After connecting the red and black cables to their respective positive and negative terminals, connect the LED Driver Unit to an external power source. The speakers feature integrated wiring cables with clip connectors -- be sure to observe proper power requirements (LED Driver Input).

- Speakers 'A' and 'B' connect to an amplifier source 'C'
- LED Power Driver 'D' connects the speakers to the EXTERNAL room's power supply
- Integrated wiring with clip connector 'E' for LED Power Driver connection



**Models: PDICBTL3F - PDICBTL35 - PDICBTL4**  
**2-Channel Kits with Built-in LED Lights + Bluetooth**

**Speaker + LED Light Power Wiring + Bluetooth Control**



**Bluetooth Wiring**

Connect the speakers to the Bluetooth Receiver Controller with the included speaker wire -- be sure to properly connect the speaker wire to their respective positive and negative terminals, as indicated by the speaker connection terminal. Then, the included power supply adapter cable connects and provides powers the Bluetooth Receiver Controller.

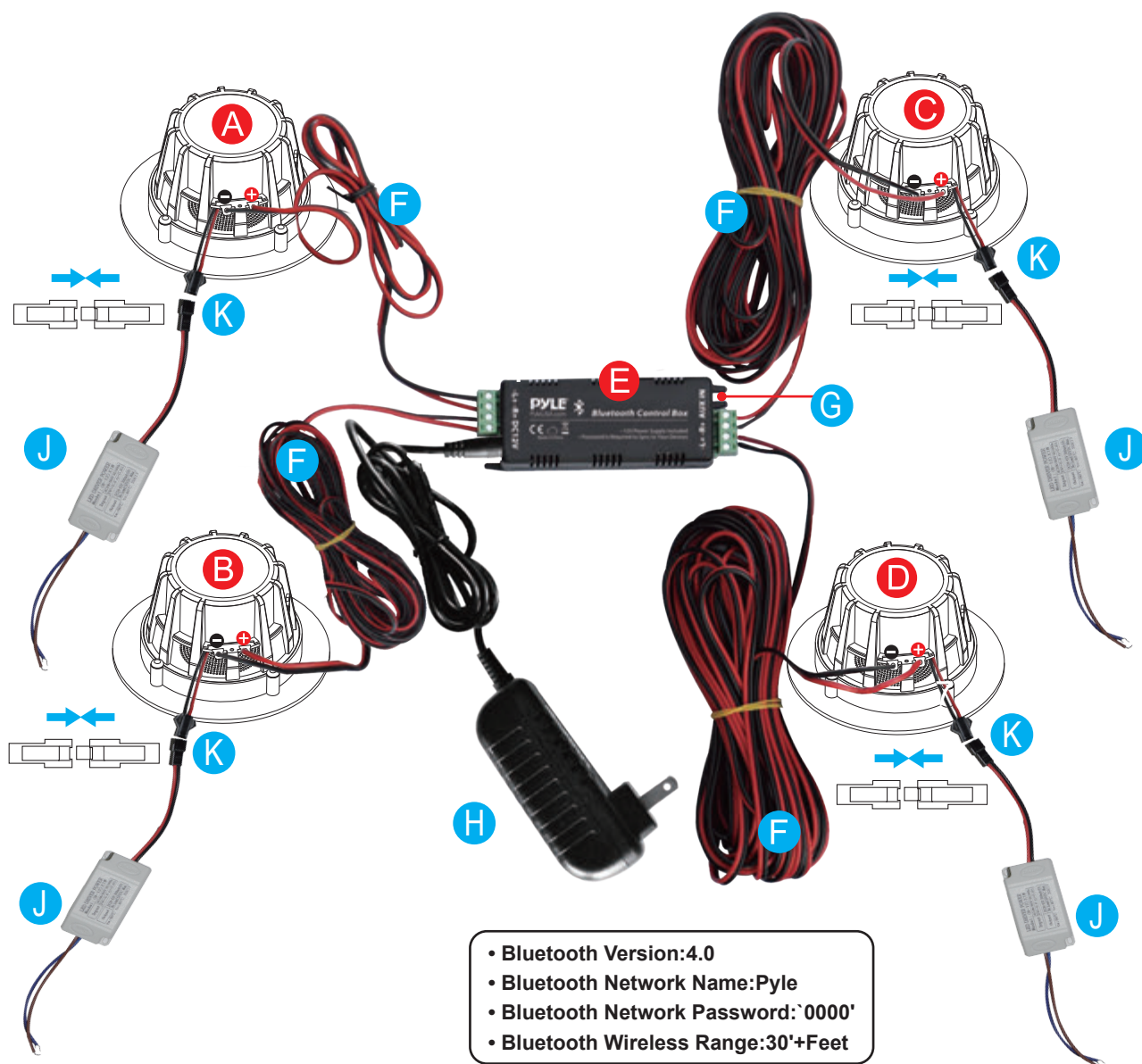
**LED Light Wiring**

Connect the LED Driver Unit to an external power source. The speakers feature integrated wiring cables with clip connectors -- be sure to observe proper power requirements (LED Driver Input).

- Speakers 'A' and 'B' connect to the Bluetooth Receiver Controller 'C'
- LED Power Drivers 'D' connect the speakers to the EXTERNAL room's power supply
- Integrated wiring with clip connector 'E' for LED Power Driver connection
- Included speaker wires 'F' connect the speakers to the speaker connection terminal
- The power adapter 'H' connects to the DC 12V power input on the Bluetooth Controller
  
- The Bluetooth Controller also features an Audio AUX Input Connector 'G' -- which allows you to connect and stream audio from external devices

- **Bluetooth Version:4.0**
- **Bluetooth Network Name:Pyle**
- **Bluetooth Network Password:'0000'**
- **Bluetooth Wireless Range:30'+Feet**

**Models: PDIC4CBTL3B - PDIC4CBTL35B - PDIC4CBTL4**  
**4-Channel Kits with Built-in LED Lights + Bluetooth**



## Bluetooth Wiring

Connect the speakers to the Bluetooth Receiver Controller with the included speaker wire -- be sure to properly connect the speaker wire to their respective positive and negative terminals, as indicated by the speaker connection terminal. Then, the included power supply adapter cable connects and provides powers the Bluetooth Receiver Controller.

## LED Light Wiring

Connect the LED Driver Units to an external power source. The speakers feature integrated wiring cables with clip connectors -- be sure to observe proper power requirements (LED Driver Input).

- Speakers 'A, B, C and D' connect to the Bluetooth Receiver Controller 'E'
- LED Power Drivers 'J' connect the speakers to the EXTERNAL room's power supply
- Integrated wiring with clip connector 'K' for LED Power Driver connection
- Included speaker wires 'F' connect the speakers to the speaker connection terminals that are located on the Bluetooth Receiver Controller
- The power adapter 'H' connects to the DC 12V power input on the Bluetooth Controller
- The Bluetooth Controller also features an Audio AUX Input Connector 'G' -- which allows you to connect and stream audio from external devices



Thank you for purchasing the PYLE Aluminum Alloy-Frame speaker system. These speakers were designed and manufactured for your installation needs and have been thoroughly tested to ensure consistent and reliable performance. For further information, installation assistance or product troubleshooting visit us on [PyleUSA.com](http://PyleUSA.com)

### Additional Aluminum Frame Speakers & Options:

Model Number	Amount of Speakers	Speaker Size	MAX Output Power	Aluminum Housing	Built-in Tweeter	LED Light Bulb	Bluetooth Receiver	Aux In	Cut-Out Diameter	Mounting Depth
PDIC3FR	2	3.0"	100 Watt	•					3.7"	2.2"
PDICLE3FR	2	3.0"	100 Watt	•		•			3.7"	2.4"
PDICBTL3F	2	3.0"	100 Watt	•		•	•	•	3.7"	2.4"
PDIC4CBTL3B	4	3.0"	200 Watt	•		•	•	•	3.7"	2.4"
PDIC35	2	3.5"	140 Watt	•	•				4.2"	2.5"
PDICLE35	2	3.5"	140 Watt	•	•	•			4.2"	2.7"
PDICBTL35	2	3.5"	140 Watt	•	•	•	•	•	4.2"	2.7"
PDIC4CBTL35B	4	3.5"	280 Watt	•	•	•	•	•	4.2"	2.7"
PDIC4	2	4.0"	160 Watt	•	•				4.5"	2.7"
PDICLE4	2	4.0"	160 Watt	•	•	•			4.5"	3.0"
PDICBTL4	2	4.0"	160 Watt	•	•	•	•	•	4.5"	3.0"
PDIC4CBTL4B	4	4.0"	320 Watt	•	•	•	•	•	4.5"	3.0"

**PYLE**<sup>®</sup>

PyleUSA.com

1600-63rd Street  
Brooklyn, NY 11204 USA