

**NOTE:** If you received a control module AND throttle, make sure to replace BOTH parts on your unit.

**Tools Required:** (Not included)

- A. Phillips head screwdriver
- B. 4mm Allen wrench

**⚠ CAUTION:** To avoid potential shock or other injury, turn power switch OFF and disconnect charger before attempting these procedures. Failure to follow these steps in the correct order may cause irreparable damage.

**Step 1**

Using a Phillips head screwdriver, remove the four Phillips screws at the back of the battery cover at the rear of the product.

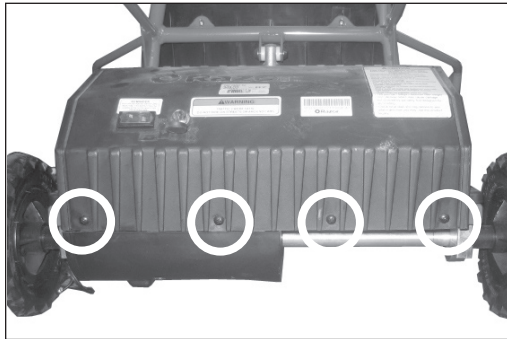


Figure 1

**Step 2**

Using a 4mm Allen wrench, remove two 4mm hex bolts on the right side of the battery cover.



Figure 2

**Step 3**

Remove two 4mm hex bolts on the left side of the battery cover and one Phillips screw located on the middle left side of the battery cover. When removing the battery cover, be careful not to pull the wires connected to the power switch and charger port.

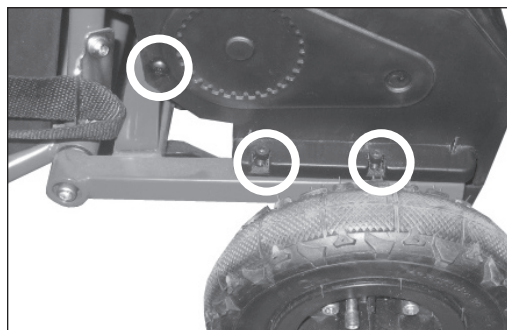


Figure 3

**Step 4**

Carefully cut the zip ties holding the wires together. Disconnect the five white plastic connectors attached to the control module by depressing the tab and remove the wires connected to the power switch at the back of the battery cover.

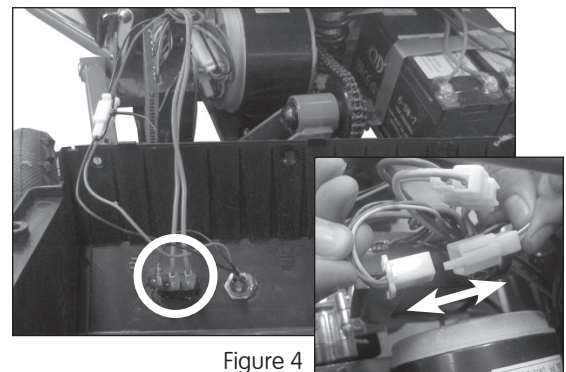


Figure 4

## Step 5

Using a Phillips head screwdriver, remove the two screws holding the control module in place and remove.

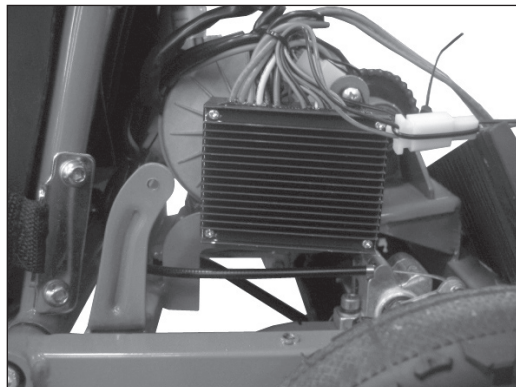


Figure 5

## Step 6

Install the new control module using the same two screws previously removed. Reconnect the five white plastic connectors. Plug the two red wires on the control module into the two silver prongs of the power switch (in no particular order). **Note:** Do NOT plug the red wires into the top gold prong of the power switch.

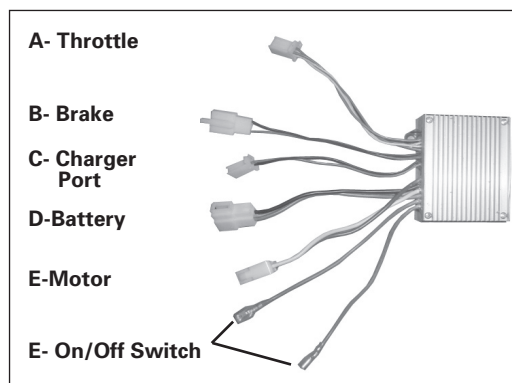


Figure 6

## Step 7

Reverse steps:

1. Replace the battery cover.
2. Re-fasten the screws that hold the battery cover.

**ATTENTION: Charge unit at least 18 hours before riding.**